

J2 H/L 10

IP65

Compact actuator for regulation and control of valves. Equipped with extra limit switches (ELS) , manual override. Valve-Interface according ISO 5211/DIN 3337, connectors, heater, electronic limiter.

technical dates

model L

voltage range	24 V AC/DC
current consumption	0,2 A - 0,39 A
operating time s/90°	19 s ± 10%

model H

voltage range	85 - 240 V AC/DC
current consumption	0,2 A - 0,28 A
operating time s/90°	16 s ± 10%

heater

3,5 W

break torque

12 Nm

operational torque

10 Nm

duty rating [ED]

75%

protection class

IP65

temperature range

-20 °C to 70 °C

flange

F03/F05

double square

14 mm

connectors

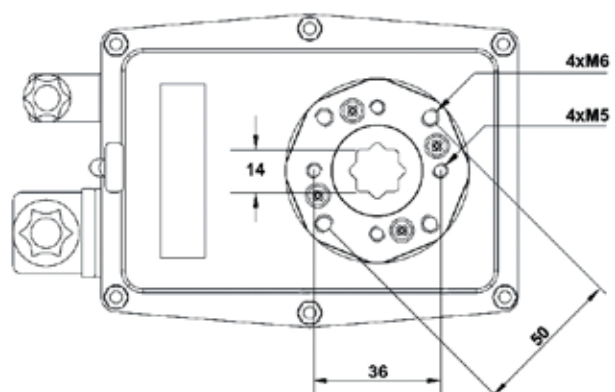
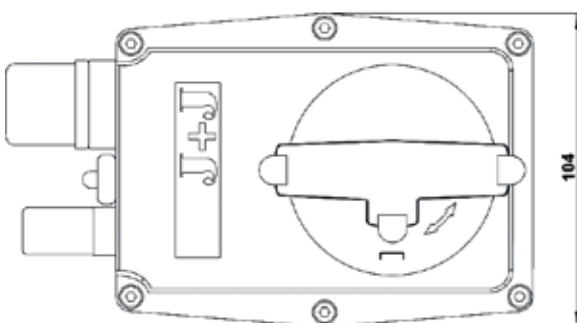
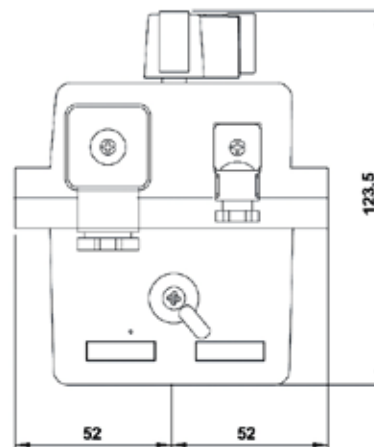
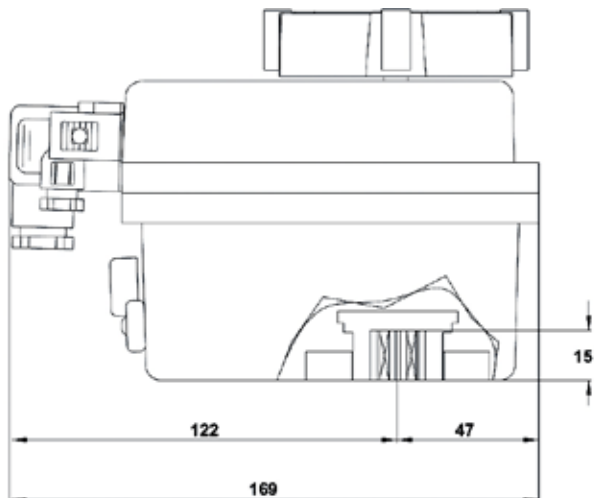
DIN 43650 ISO 4400 C-192/C-193

housing

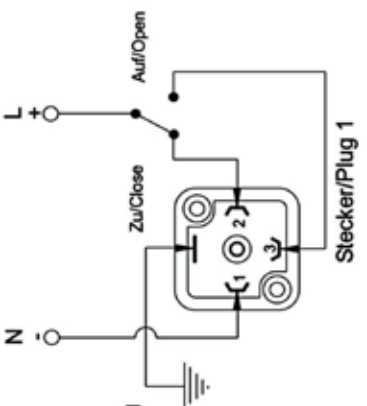
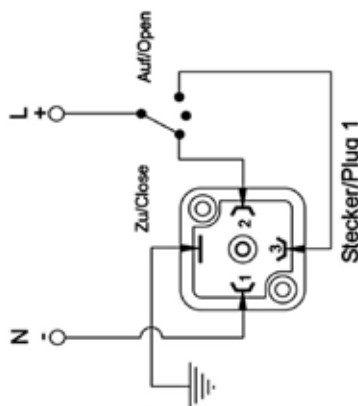
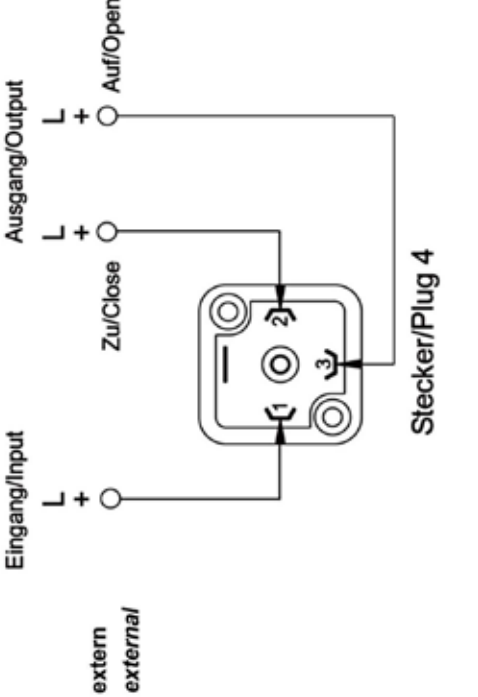
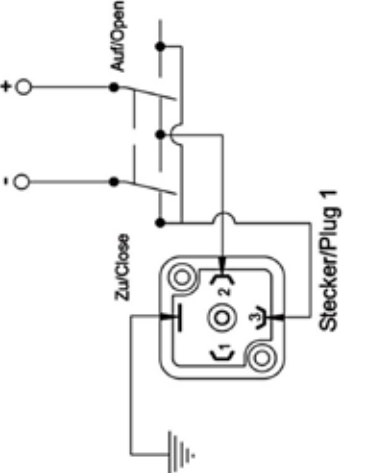
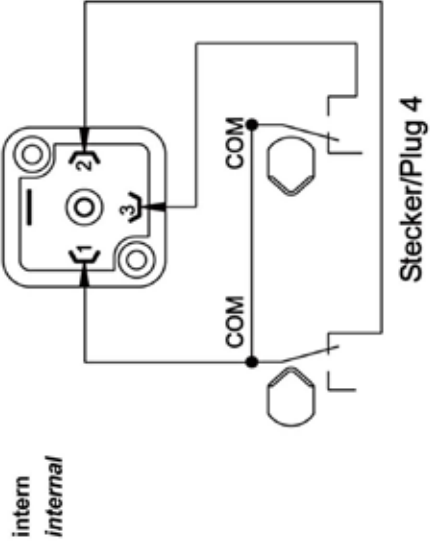
polyamide (PA 6)

ELS

5 A 125 V AC / 3 A 250 V AC



wiring diagram

<p>Power Standard</p> <p>AC/DC 2 Punkt Regelung 2 point control</p>  <th data-bbox="159 250 606 1137"> <p>Potentialfreie Endlagen / potentialfree limit switches</p> </th>	<p>Potentialfreie Endlagen / potentialfree limit switches</p>
<p>AC/DC 3 Punkt Regelung 3 point control</p> 	 <p>extern external</p>
<p>DC 2 Draht 2 wires</p> 	 <p>intern internal</p>