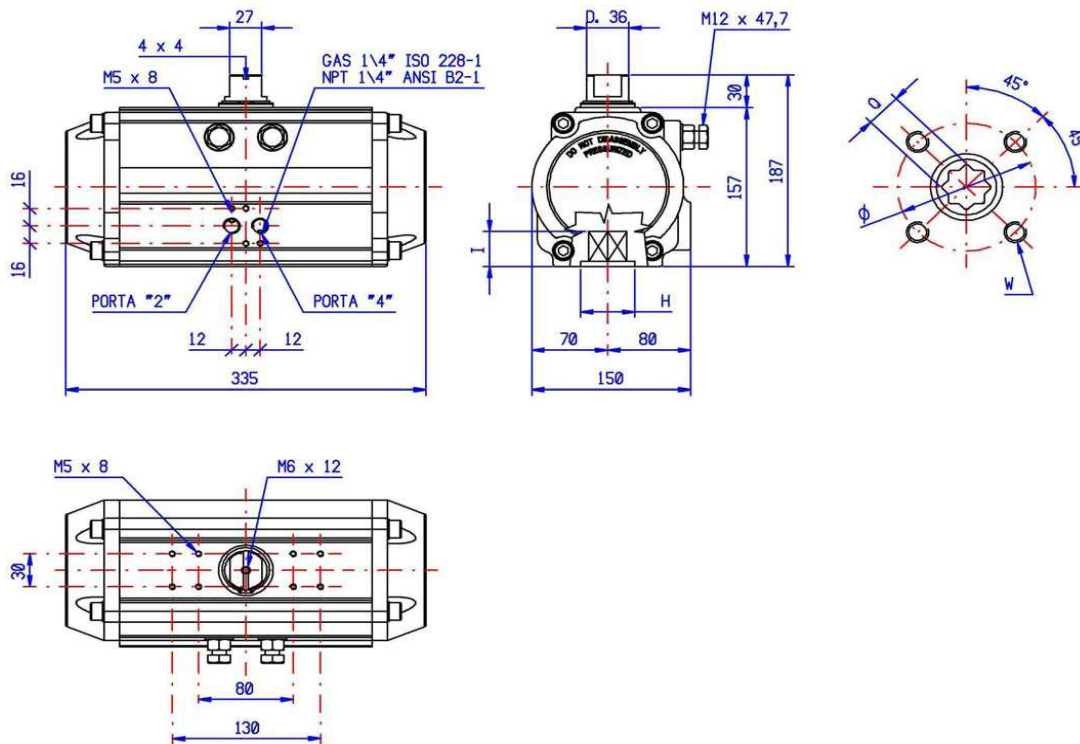


RE 126



DOUBLE ACTING TORQUE RATINGS IN NEWTONxMETRE (Nm)

| | | AIR SUPPLY IN BAR | | | | | | | | WEIGHT kg |
|--------------|-------|-------------------|-------|-------|-------|-------|-------|-------|--------------|--------------|
| RE 126 DA | 3 | 4 | 5 | 6 | 7 | 8 | 9 | 10 | | |
| | 169,9 | 226,5 | 283,2 | 339,8 | 396,4 | 453,0 | 509,7 | 566,3 | 8,870 | |

SPRING RETURN TORQUE RATINGS IN NEWTONxMETRE (Nm)

| RE 126 SR | AIR SUPPLY IN BAR | | | | | | | | | | | | Torque Springs | | WEIGHT kg |
|--------------|-------------------|------|-------|-------|-------|-------|-------|-------|-------|-------|-------|-------|-------------------|-------|--------------|
| | 3 | | 4 | | 5 | | 6 | | 7 | | 8 | | 90° | 0° | |
| | 0° | 90° | 0° | 90° | 0° | 90° | 0° | 90° | 0° | 90° | 0° | 90° | | | |
| SR 3/3 | 105,0 | 64,9 | 161,6 | 121,5 | 218,2 | 178,2 | 274,9 | 234,8 | 331,6 | 291,4 | 388,1 | 348,0 | 105,0 | 64,9 | 10,070 |
| SR 4/4 | 83,3 | 29,9 | 140,0 | 86,5 | 196,6 | 143,2 | 253,2 | 199,8 | 309,9 | 256,4 | 366,5 | 313,0 | 140,0 | 86,6 | 10,470 |
| SR 5/5 | | | 118,3 | 51,5 | 175,0 | 108,2 | 231,6 | 164,8 | 288,2 | 221,4 | 344,8 | 278,1 | 175,0 | 108,2 | 10,870 |
| SR 6/6 | | | | | 153,3 | 73,2 | 210,0 | 129,8 | 266,6 | 186,4 | 323,2 | 243,1 | 210,0 | 129,8 | 11,270 |

ADDITIONAL DATA

| | |
|---------------|--------------------|
| Chamber Diam. | 125 mm |
| MAX.PRESSURE | 8 bar |
| ROTATION | 90° ± 5° |
| VOLUME | 3,7 litres |
| CLOSING TIME | 1,2 sek |
| OPENING TIME | 1,2 sek |
| STD. GREASE | MOLYBDENUM BISULP. |

AVAILABLE FORCE INTAKES

| F07/10 | | |
|----------|--------|---------|
| ISO 5211 | F07 | F10 |
| Ø | 70 | 102 |
| W | M 8x12 | M 10x15 |
| Q | 27 | 27 |
| I | 30 | 30 |
| H | 55 | 55 |