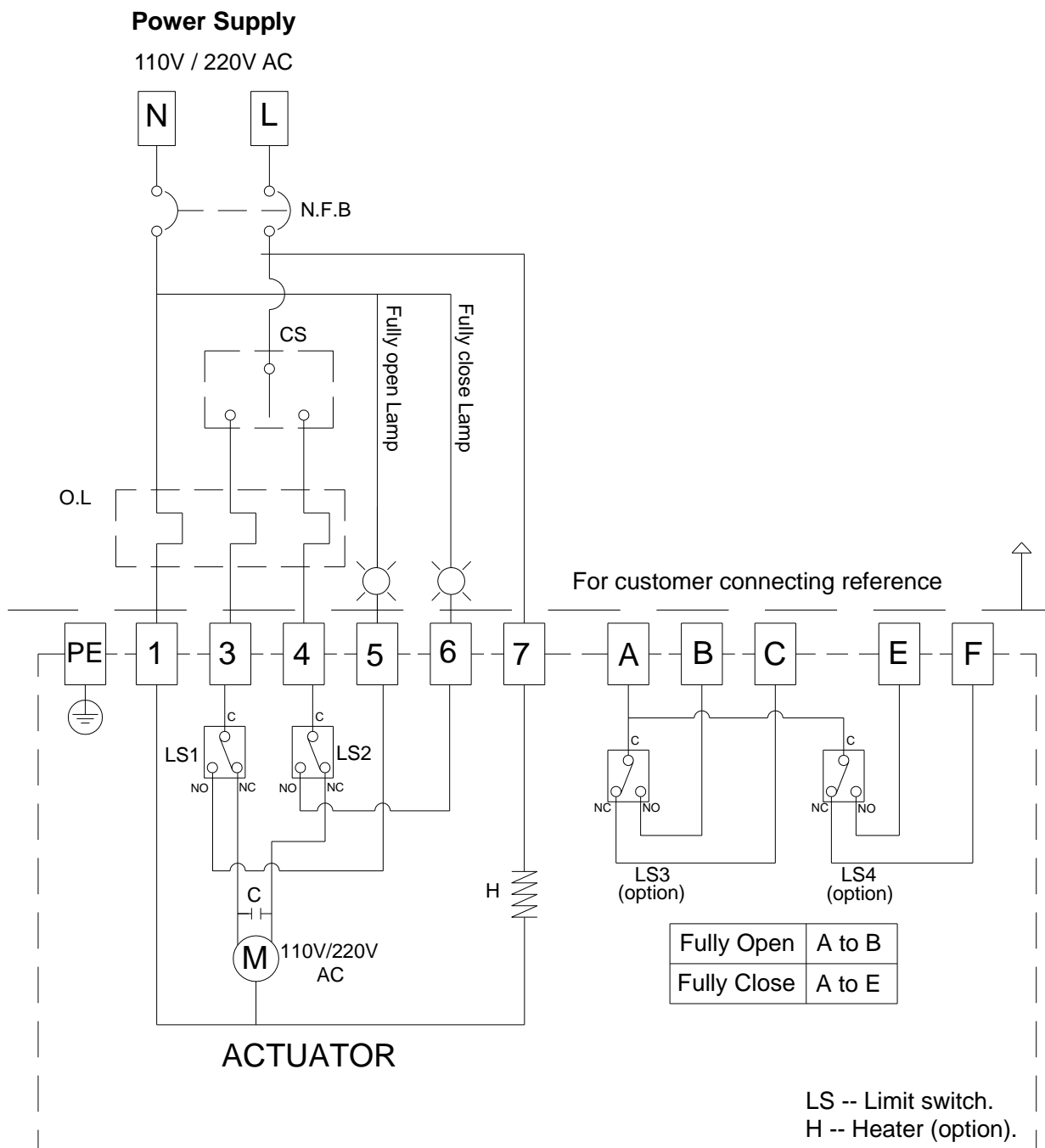


WIRING DIAGRAM – Quarter Turn Actuator

OM-1 , OM-A , OM-A-M 110V , 220V AC 1-Phase

On-Off Controller



NOTE :

1. "N" connects to #1, "L" connects to #7.
2. "L" connects to #3 for "OPEN", "L" connects to #4 for "CLOSE".
3. Using less than 3A current for "A, B, C, E, F".